

200-015 – 2NM 360° GREEN LIGHT

The LED light consists of a single array of LEDs that produces light in the specified angle.

The precision machined 6082 aluminium housing with an anodized surface makes the light a rugged and durable housing for the LEDs and electronics contained within.

The interior is completely filled with a special potting resin making it water- and vibration proof.

Produced in our in-house manufacturing facility to meet and exceed exacting standards such as EN14744 and UL1104, under a quality management system continuously surveyed by Lloyds Register Quality Assurance.

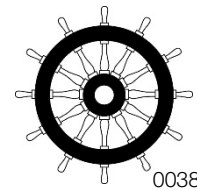
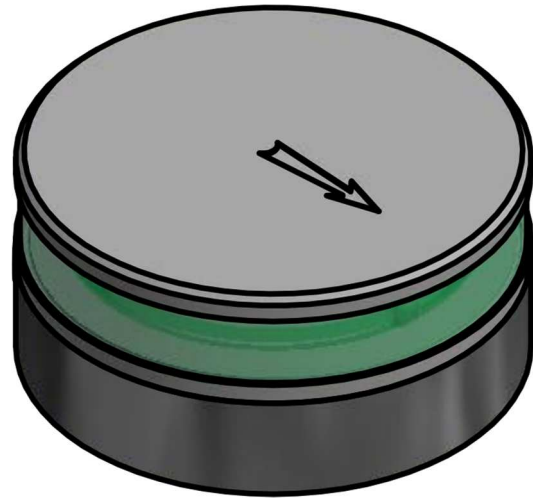
Each light is subjected to final testing for a minimum of 16 hours of continuous operation bringing the total test time beyond 24 hours.

This navigation light is in compliance with the following standards:

- COLREG72
- EN14744
- IEC 60945
- USCG (UL1104)

Together with an appropriate Control & Monitoring System, such as Lopolight's own NLC* this navigation light can form part of an IMO MSC 253(83), LY3 and LY4 compliant system.

*) information found here: www.lopolight.com/NlcPanel



Technical specifications

Vessel size: Up to 50m (Up to 164')

Visibility: >2 nautical miles

Intensity: >5,4 cd

Power consumption; 4,4 Watt; Current @ 12 VDC: 0,37A - Current @ 24 VDC: 0,18A

Operating voltage: 10 - 32 V DC

Mounting: **Horizontal**, see K-Lock sheet for options

Number of LEDs: 28

Light colour: **Green**

Operating temperature: -25°C to +55°C

IP Rating: **IP68**

Connection: 1 cable consisting of 2 x 0,5 mm² leads, a screen and insulation.

- Red lead = Power
- Black lead = GND

Certification: The product is certified by Lloyds (LR) and certificates can be found on www.lopolight.com under certificates.

The product is in compliance with the following standards:
COLREG72/ EN14744 / IEC 60945 / USCG/ UL1104

Dimensions: **See drawing**

Weight: **0,46kg**

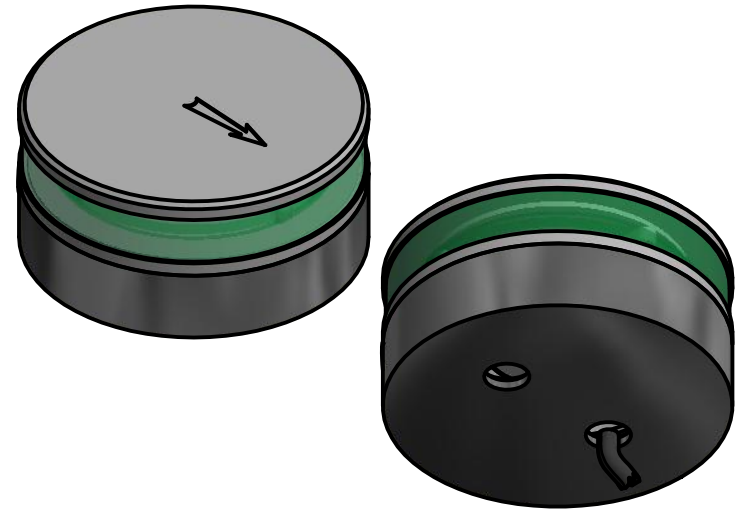
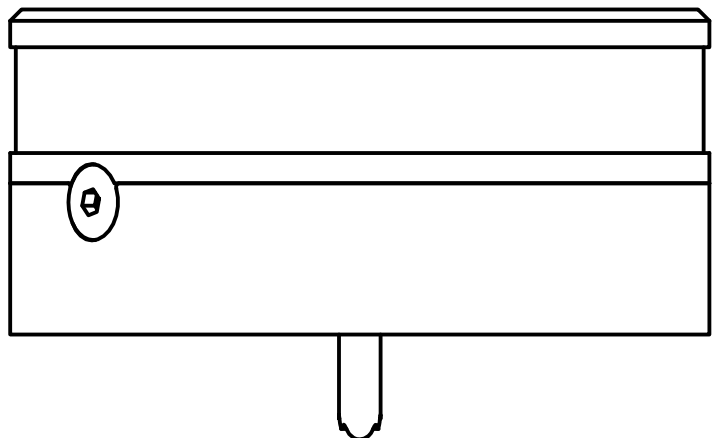
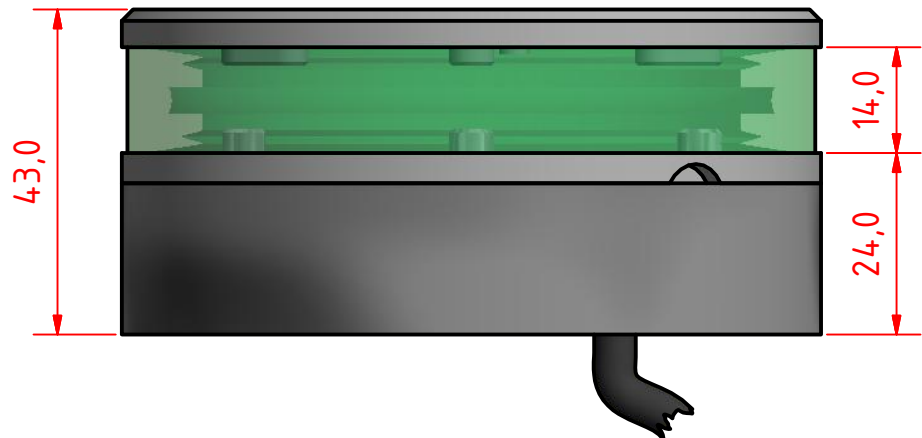
Warranty:

Lopolight products are covered by a 5-year limited warranty.

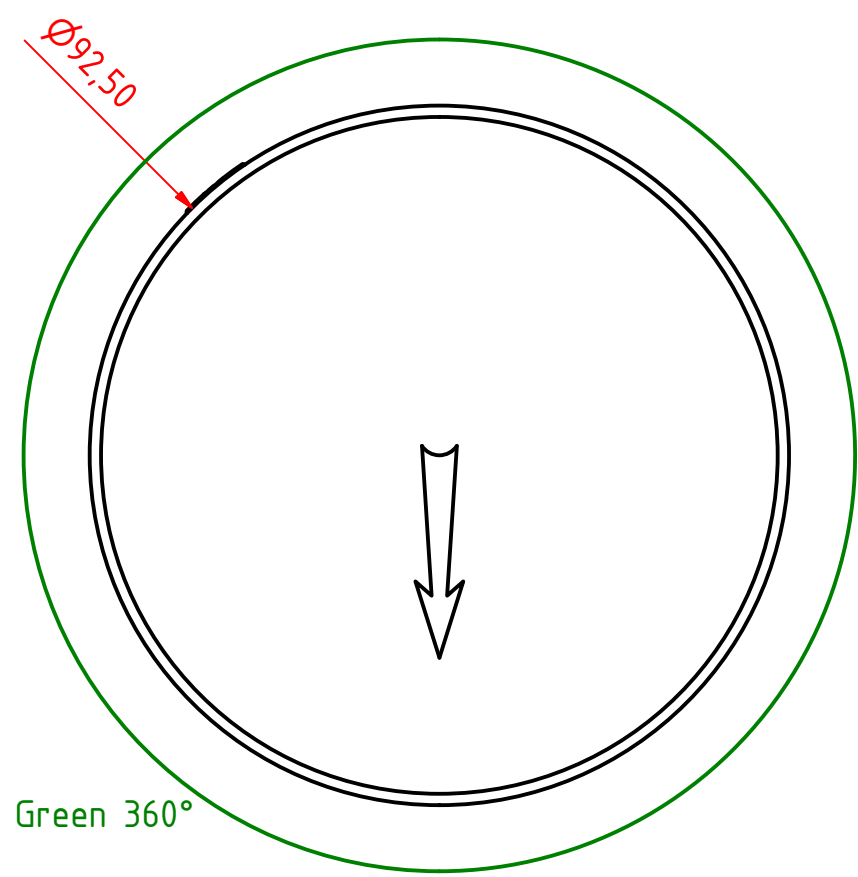
Warranty conditions can be found on www.lopolight.com/Home/Service

Included in the standard package:

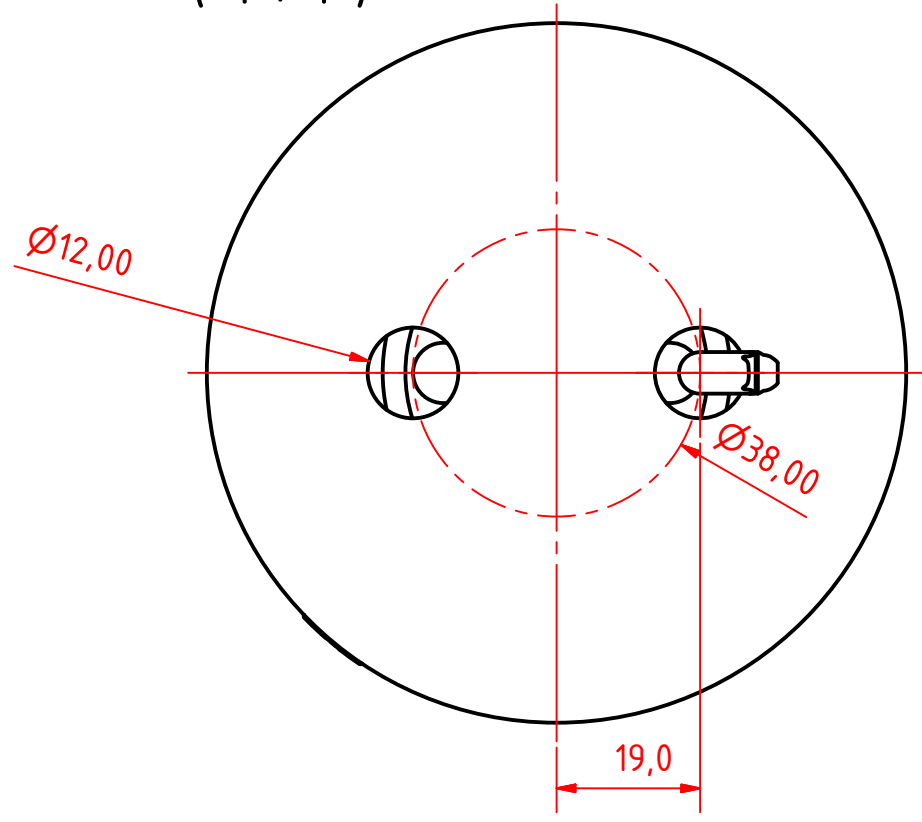
- 1 pc. Navigation light, pre-cabled with 0,75m marine grade cable on HDPE base
- Installation instructions



Note:
 The PE Plastic base is intended for fitting on site and can be either drilled for mounting screws from above or drilled and tapped from below. 6mm machine screws with nuts and washers are recommended for secure mounting.



(1 : 1)

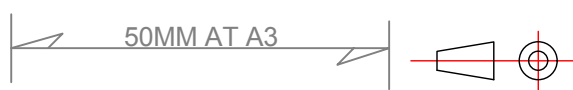


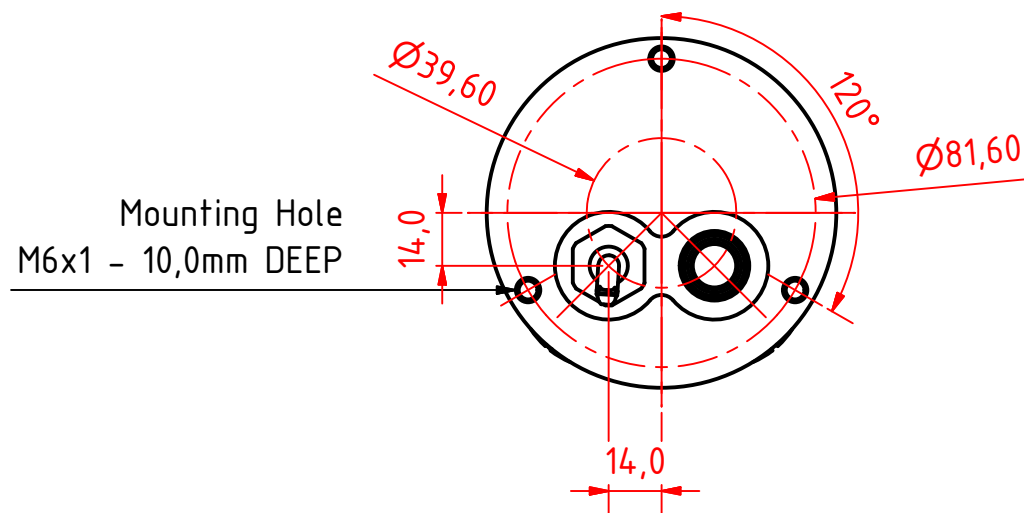
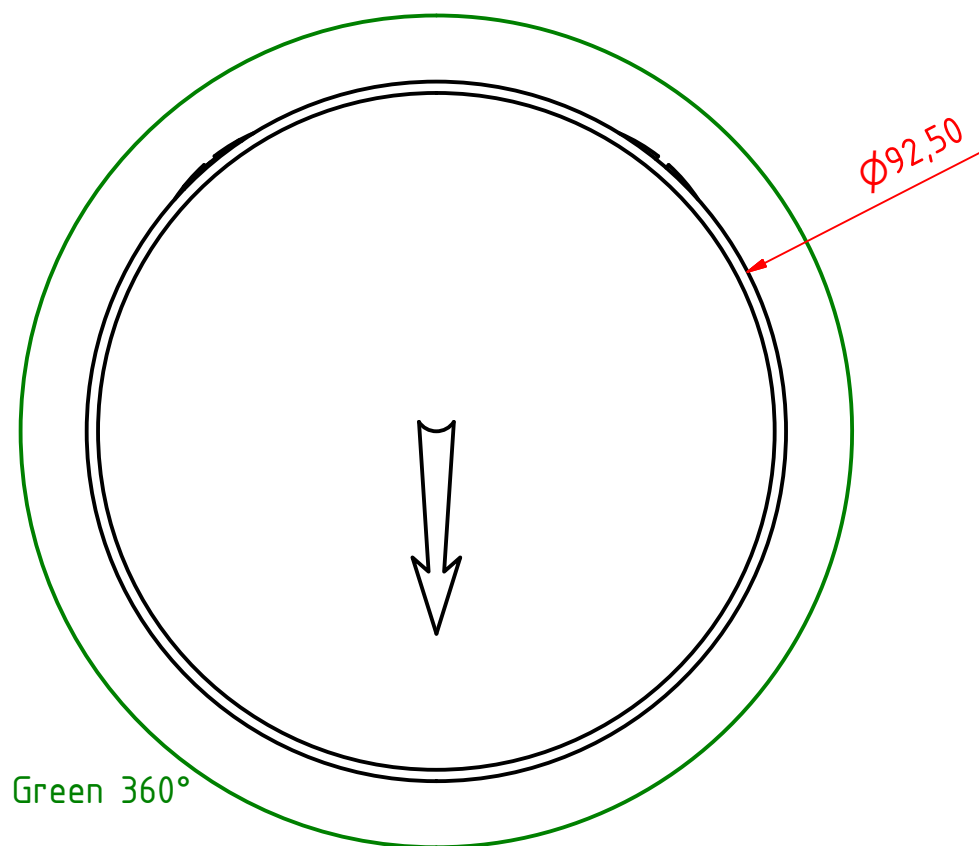
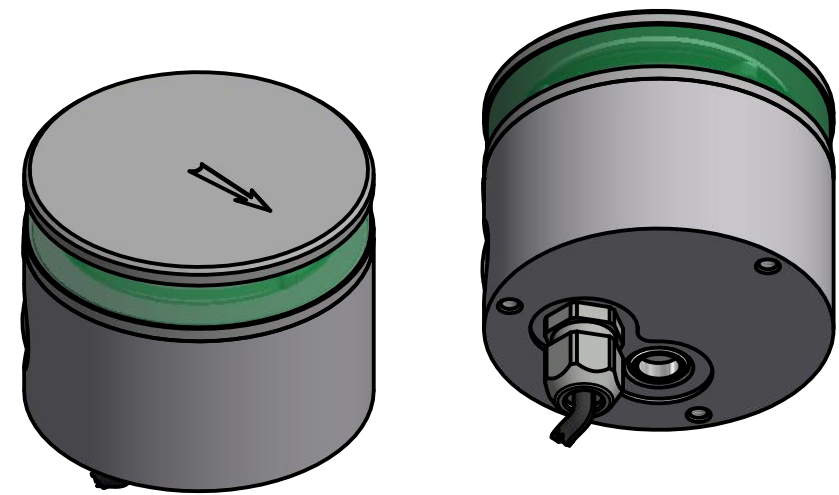
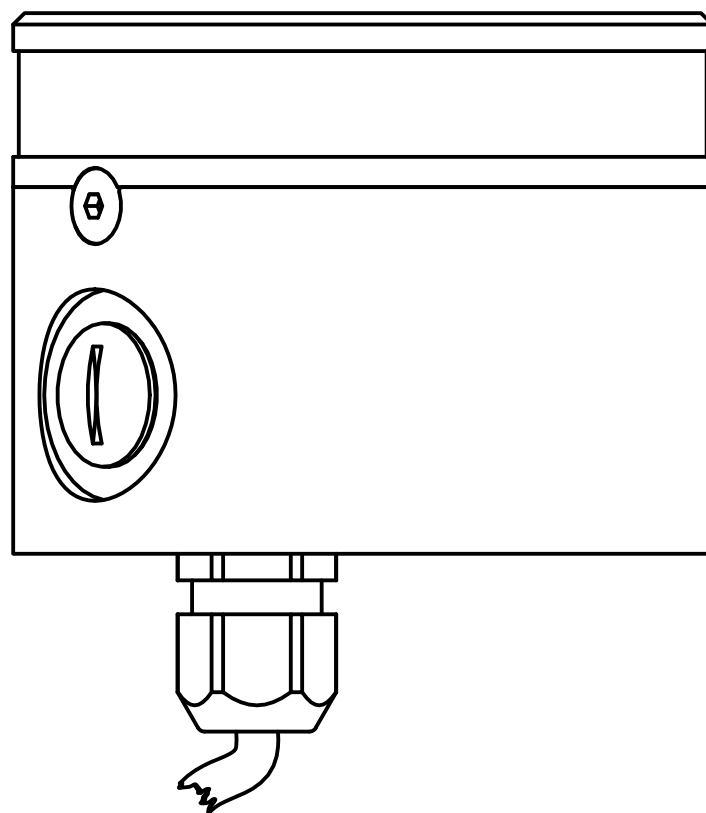
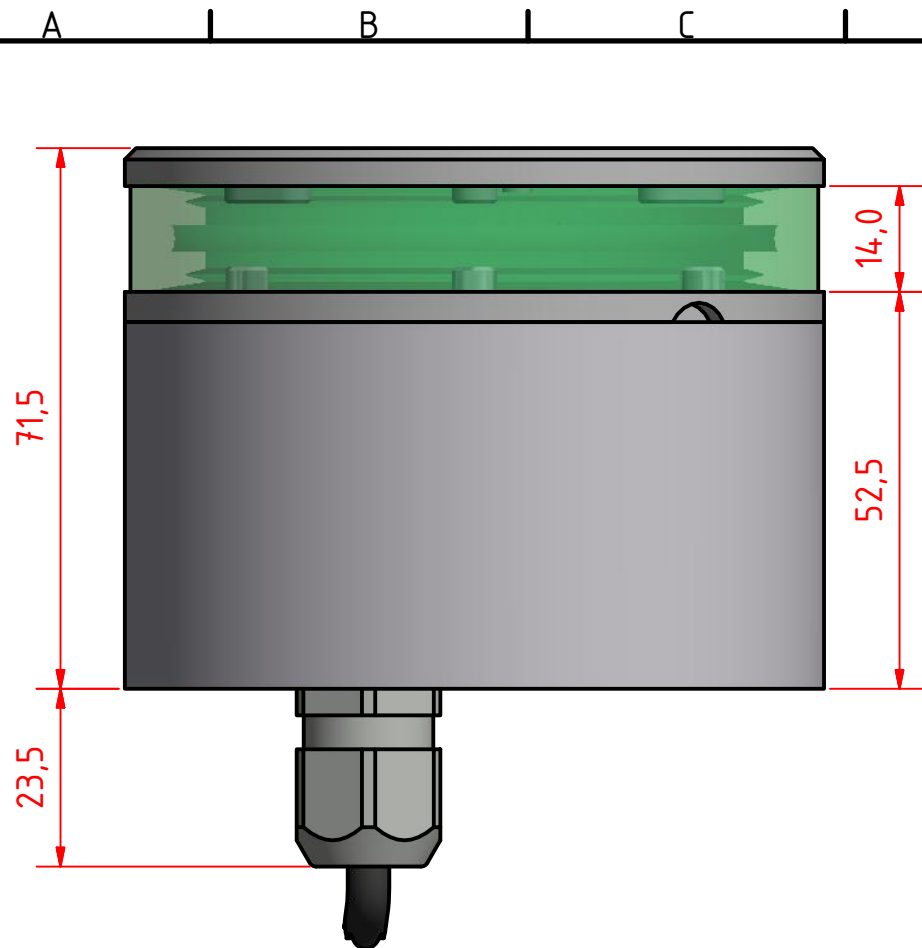
200-015 - 360° Green, PE Std Base.

DRAWING NO.: 200-015AB	REV. NO.: 0	SIZE: A3	DRAWN BY: Sergio
SCALE: 1:1	TOLERANCES: DS/ISO 2768-f	REVIEWED BY:	CREATION DATE: 02/01/2017
MATERIAL DESCRIPTION: Alu EN 6082, PE, Acrylic (20µ) Silver anodized according to EN ISO 7599 (50µ) Black anodized according to MIL-A 8625F			

This Drawing, and the information within, is the property of Lopolight ApS and may not be used in any form without express permission there from. Lopolight reserves the right to change this drawing and assumes no liability for the information communicated herein. Use of dimensions and other information in this drawing is at the users own risk.

LOPOLIGHT
 Lopolight ApS
 Ved Klaedebo 12
 DK-2970, Hoersholm
 Denmark
 Tel:(+45) 32 48 50 30 Fax:(+45) 32 48 50 32
 info@lopolight.com
 www.lopolight.com





200-015 - 360° Green, 400-034 Promount, Cable Down.

DRAWING NO.: 20-015BB	REV. NO.: 0	SIZE: A3	DRAWN BY: Sergio
--------------------------	----------------	-------------	---------------------

SCALE: 1:1	TOLERANCES: DS/ISO 2768-f	REVIEWED BY:	CREATION DATE: 02/01/2017
---------------	------------------------------	--------------	------------------------------

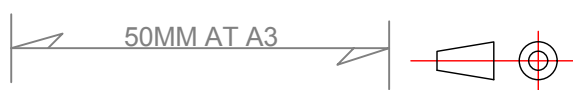
MATERIAL DESCRIPTION:
Alu EN 6082, Acrylic. (20µ) Silver anodized according to EN ISO 7599 (50µ) Black anodized according to MIL-A 8625F

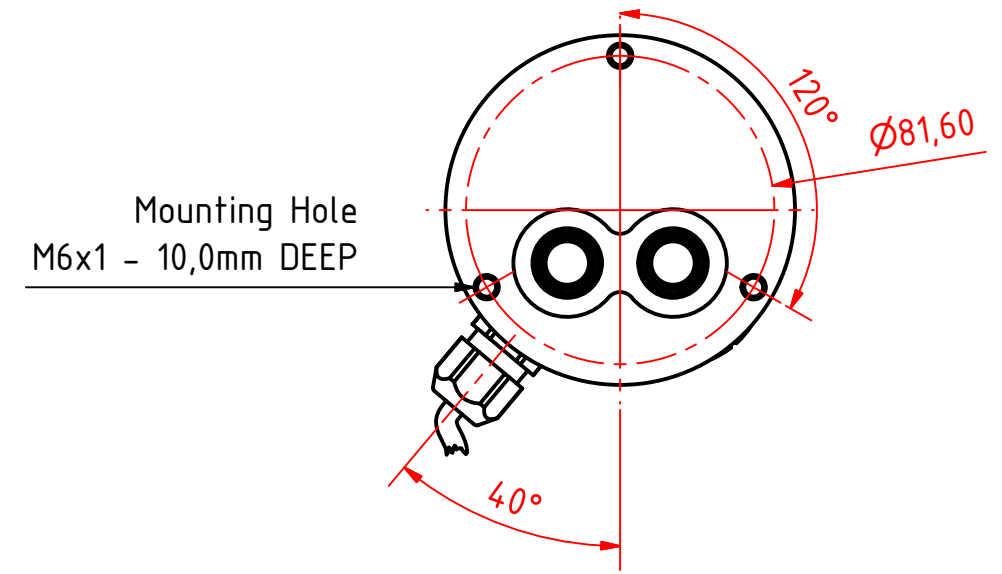
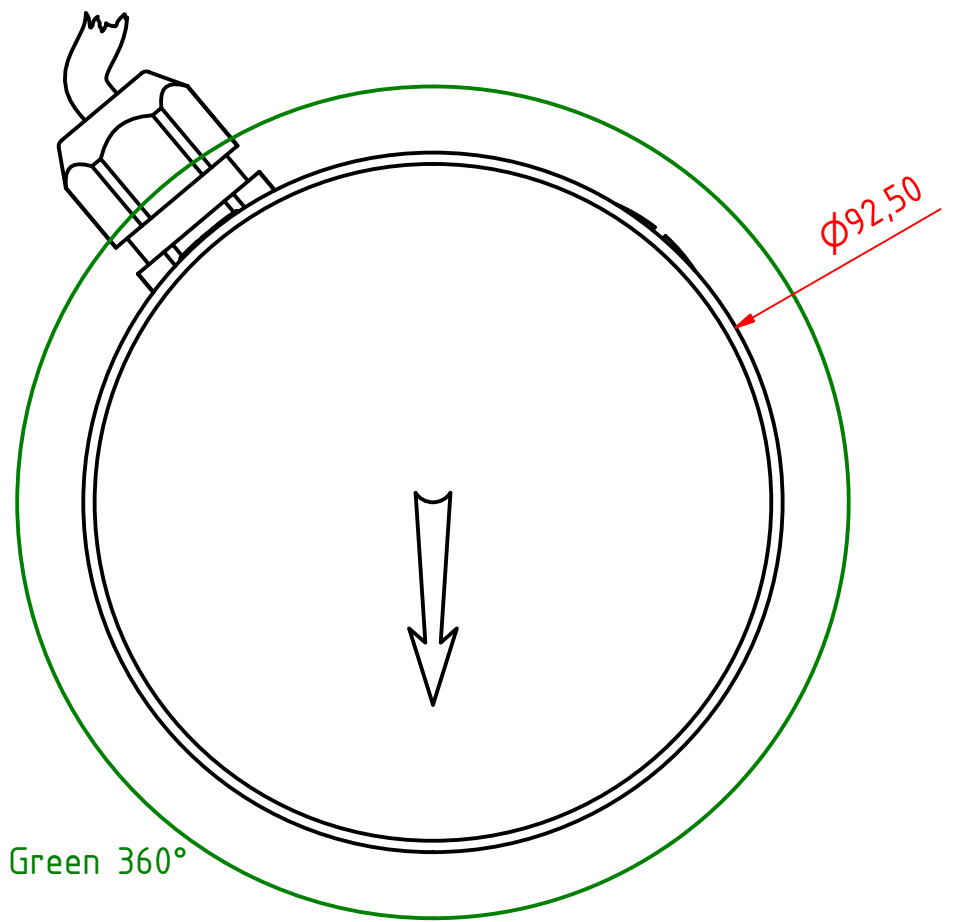
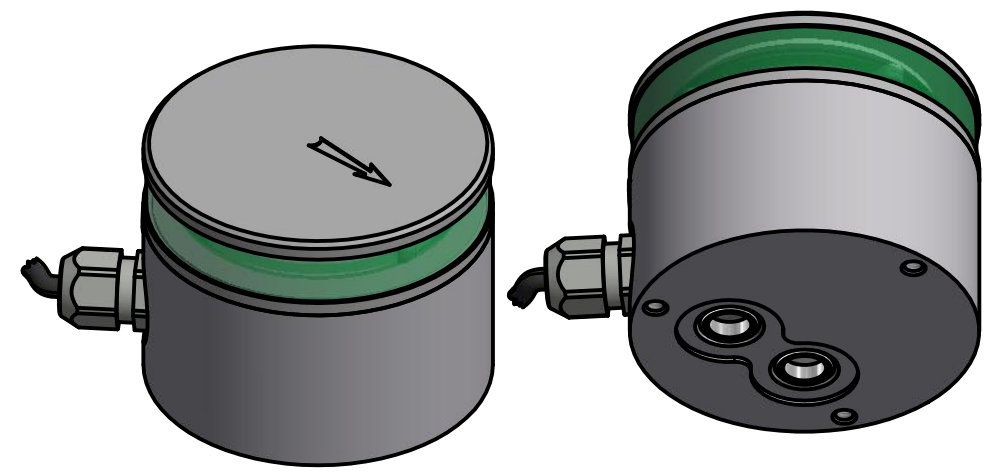
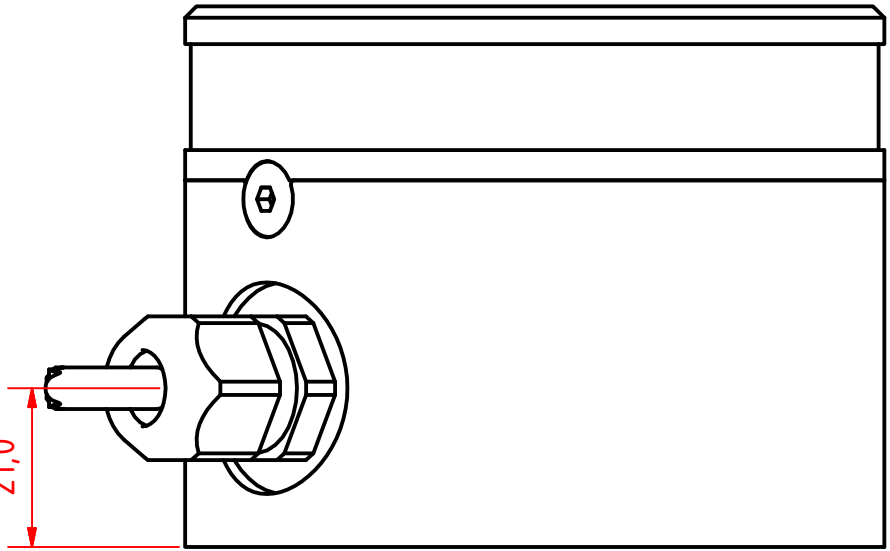
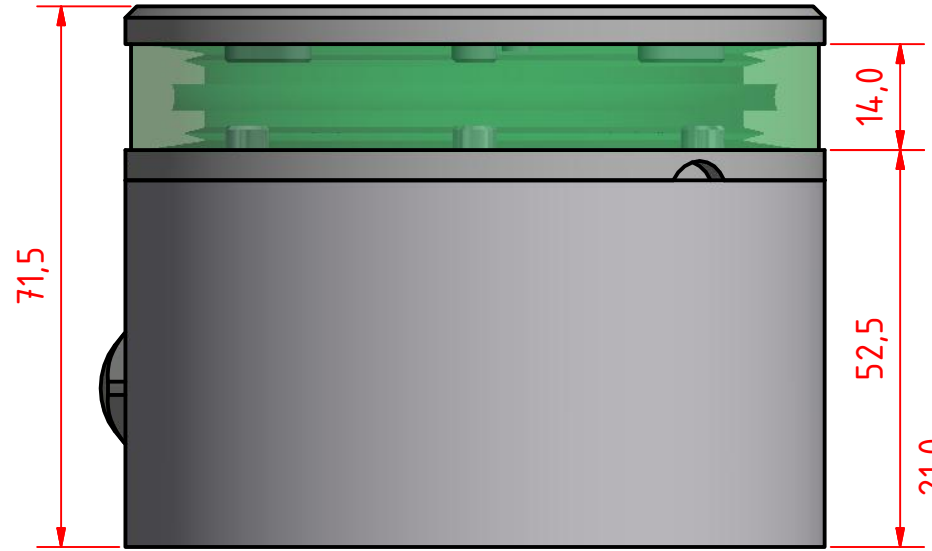
This Drawing, and the information within, is the property of Lopolight ApS and may not be used in any form without express permission there from. Lopolight reserves the right to change this drawing and assumes no liability for the information communicated herein. Use of dimensions and other information in this drawing is at the users own risk.



Lopolight ApS
Ved Klaedebo 12
DK-2970, Hoersholm
Denmark

Tel:(+45) 32 48 50 30 Fax:(+45) 32 48 50 32
info@lopolight.com





200-015 - 360° Green, 400-034 Promount, Cable Side.

DRAWING NO.: 20-015CB	REV. NO.: 0	SIZE: A3	DRAWN BY: Sergio
SCALE: 1:1	TOLERANCES: DS/ISO 2768-f	REVIEWED BY:	CREATION DATE: 02/01/2017
MATERIAL DESCRIPTION: Alu EN 6082, Acrylic. (20µ) Silver anodized according to EN ISO 7599 (50µ) Black anodized according to MIL-A 8625F			

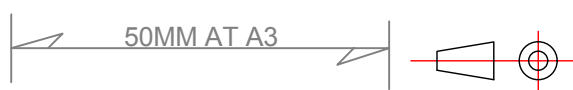
This Drawing, and the information within, is the property of Lopolight ApS and may not be used in any form without express permission there from. Lopolight reserves the right to change this drawing and assumes no liability for the information communicated herein. Use of dimensions and other information in this drawing is at the users own risk.

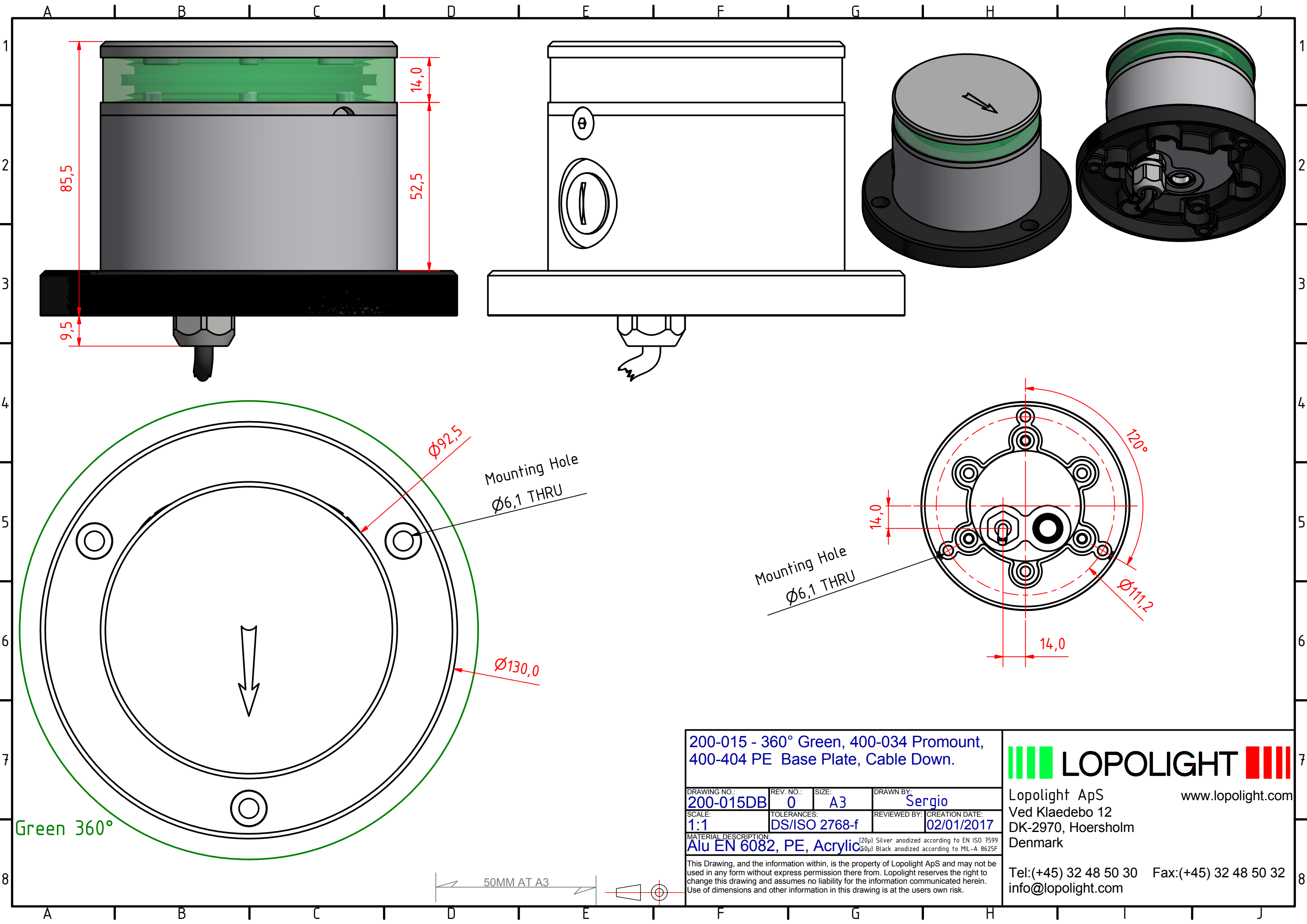
LOPOLIGHT

Lopolight ApS
Ved Klaedebo 12
DK-2970, Hoersholm
Denmark

www.lopolight.com

Tel: (+45) 32 48 50 30 Fax: (+45) 32 48 50 32
info@lopolight.com





200-015 - 360° Green, 400-034 Promount, 400-404 PE Base Plate, Cable Down.

DRAWING NO.: 200-015DB	REV. NO.: 0	SIZE: A3	DRAWN BY: Sergio
SCALE: 1:1	TOLERANCES: DS/ISO 2768-f	REVIEWED BY:	CREATION DATE: 02/01/2017

Material Description: Alu EN 6082, PE, Acrylic (20 μ) Silver anodized according to EN ISO 7599 (50 μ) Black anodized according to MIL-A 8625F

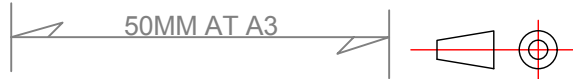
This Drawing, and the information within, is the property of Lopolight ApS and may not be used in any form without express permission there from. Lopolight reserves the right to change this drawing and assumes no liability for the information communicated herein. Use of dimensions and other information in this drawing is at the users own risk.

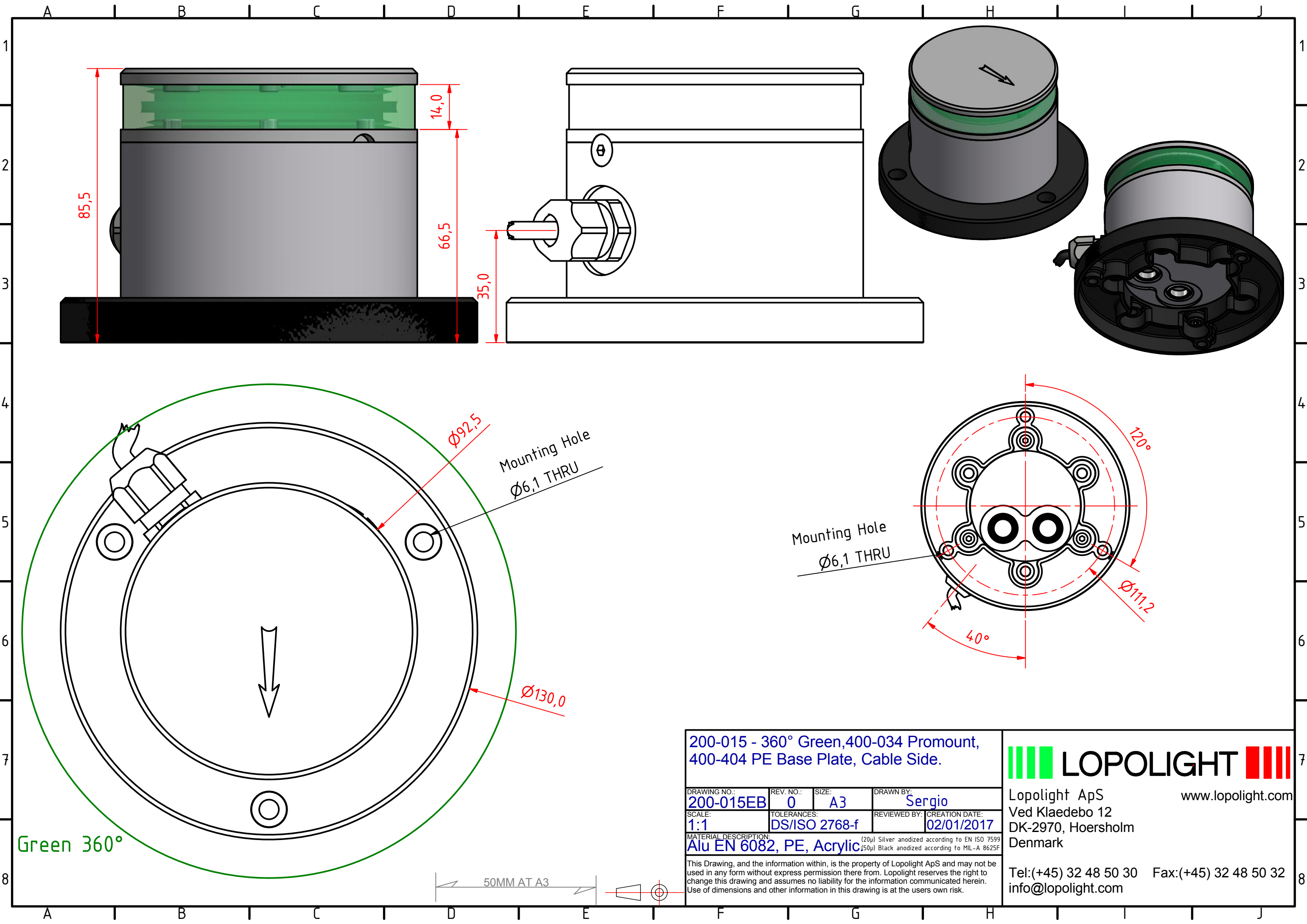
LOPOLIGHT

Lopolight ApS
Ved Klaedebo 12
DK-2970, Hoersholm
Denmark

www.lopolight.com

Tel: (+45) 32 48 50 30 Fax: (+45) 32 48 50 32
info@lopolight.com





200-015 - 360° Green, 400-034 Promount, 400-404 PE Base Plate, Cable Side.

DRAWING NO.: 200-015EB	REV. NO.: 0	SIZE: A3	DRAWN BY: Sergio
SCALE: 1:1	TOLERANCES: DS/ISO 2768-f	REVIEWED BY:	CREATION DATE: 02/01/2017

Material Description: Alu EN 6082, PE, Acrylic (20 μ) Silver anodized according to EN ISO 7599 (50 μ) Black anodized according to MIL-A 8625F

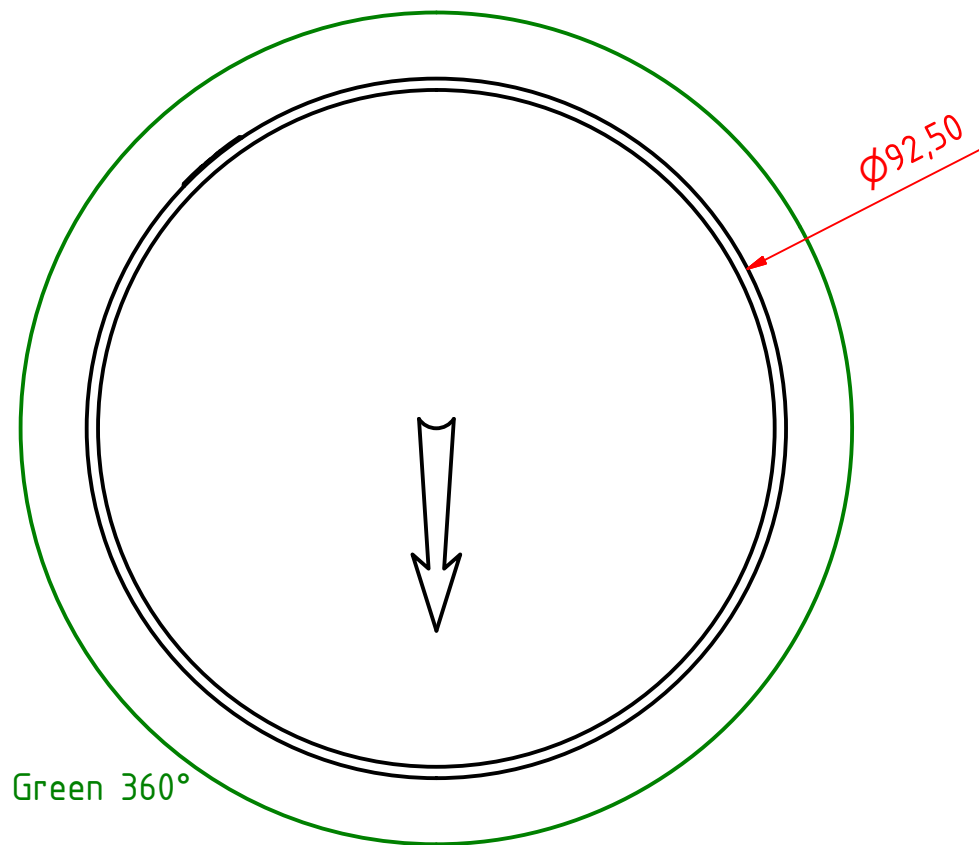
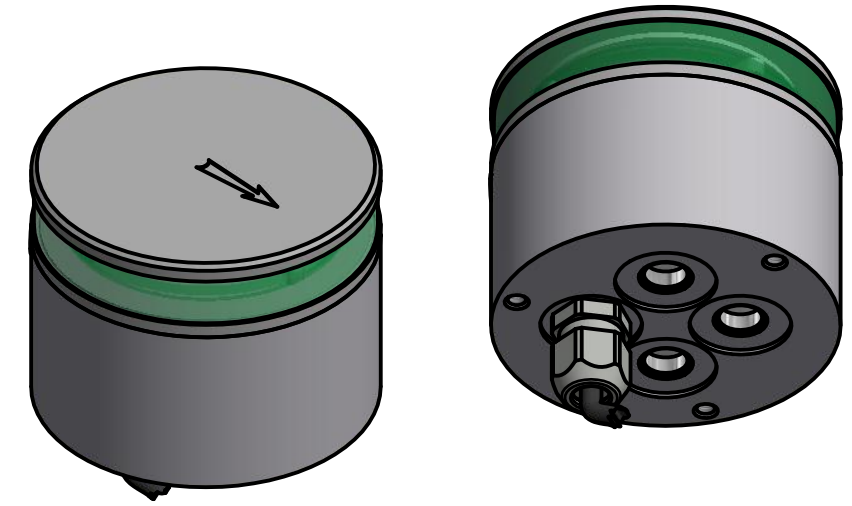
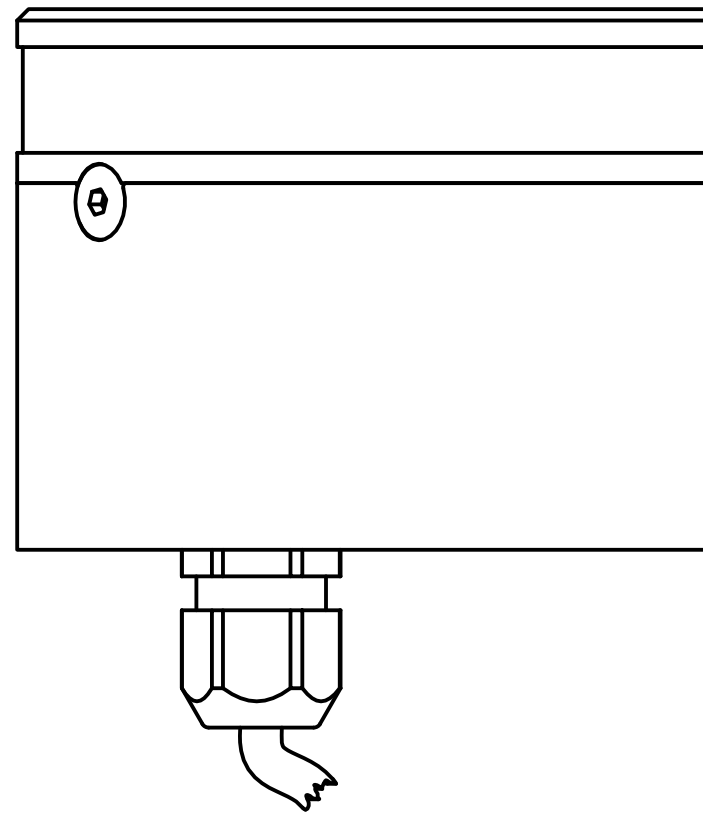
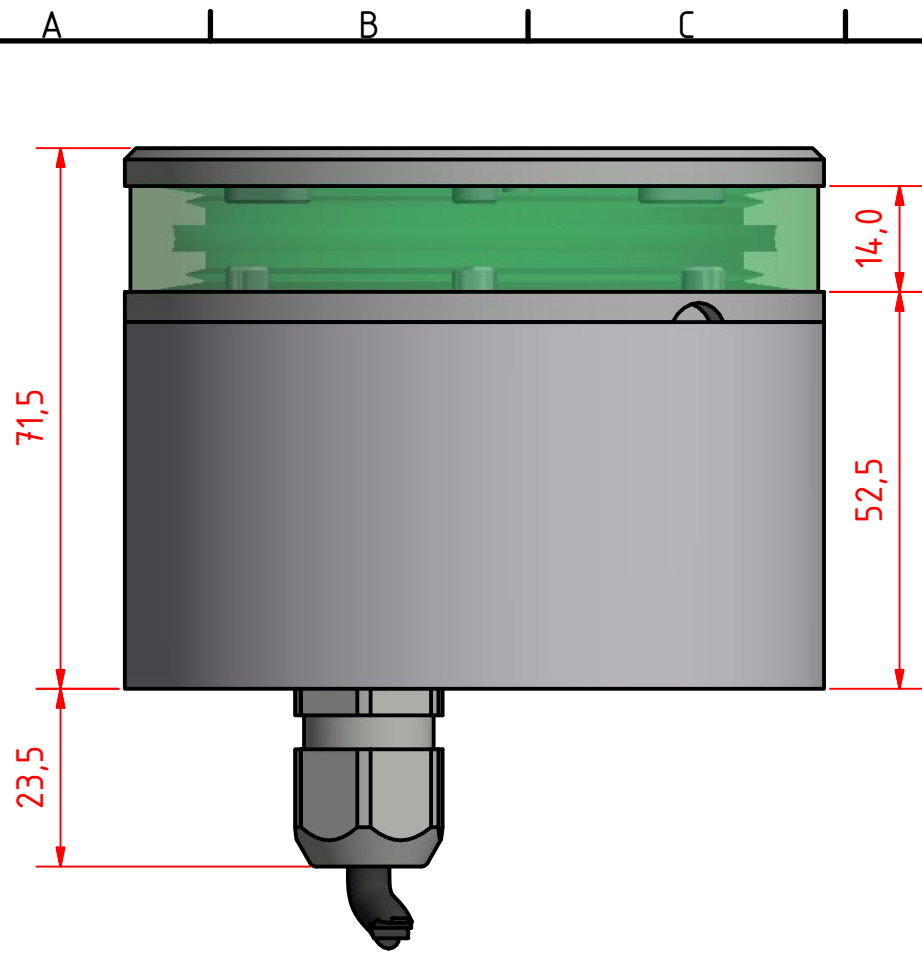
This Drawing, and the information within, is the property of Lopolight ApS and may not be used in any form without express permission there from. Lopolight reserves the right to change this drawing and assumes no liability for the information communicated herein. Use of dimensions and other information in this drawing is at the users own risk.

LOPOLIGHT

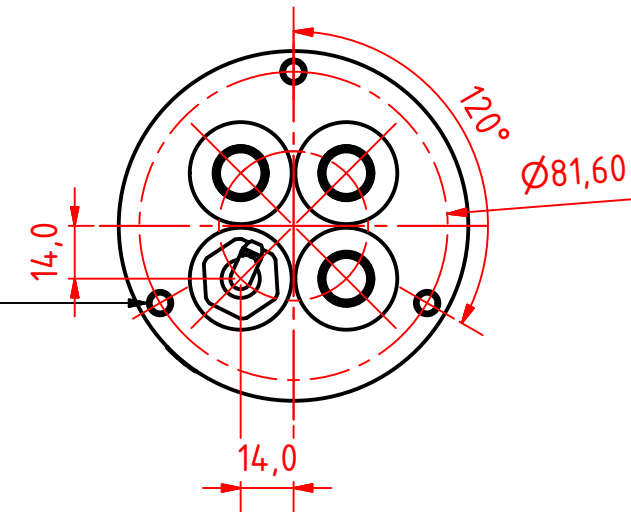
Lopolight ApS
Ved Klaedebo 12
DK-2970, Hoersholm
Denmark

www.lopolight.com

Tel: (+45) 32 48 50 30 Fax: (+45) 32 48 50 32
info@lopolight.com



Mounting Hole
M6x1 - 8,0mm DEEP



200-015 - 360° Green, 400-035 Promount,
Cable Down.

DRAWING NO.:	REV. NO.:	SIZE:	DRAWN BY:
200-015FB	0	A3	Sergio
SCALE:	TOLERANCES:	REVIEWED BY:	CREATION DATE:
1:1	DS/ISO 2768-f		02/01/2017

MATERIAL DESCRIPTION:
Alu EN 6082, Acrylic.

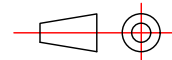
This Drawing, and the information within, is the property of Lopolight ApS and may not be used in any form without express permission there from. Lopolight reserves the right to change this drawing and assumes no liability for the information communicated herein. Use of dimensions and other information in this drawing is at the users own risk.

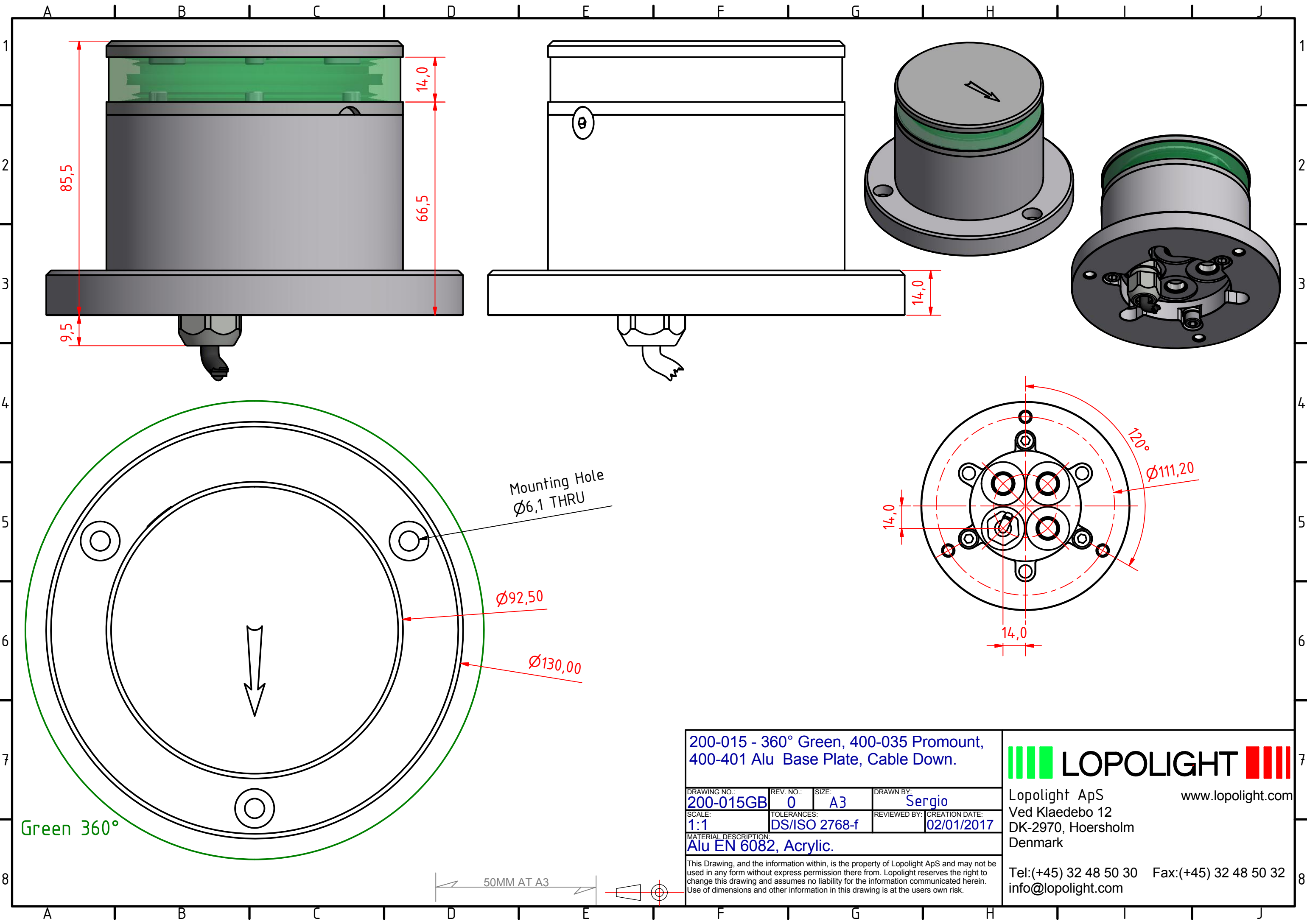


Lopolight ApS
Ved Klaedebo 12
DK-2970, Hoersholm
Denmark

Tel:(+45) 32 48 50 30 Fax:(+45) 32 48 50 32
info@lopolight.com

50MM AT A3





200-015 - 360° Green, 400-035 Promount,
400-401 Alu Base Plate, Cable Down.

DRAWING NO.:	REV. NO.:	SIZE:	DRAWN BY:
200-015GB	0	A3	Sergio
SCALE:	TOLERANCES:	REVIEWED BY:	CREATION DATE:
1:1	DS/ISO 2768-f		02/01/2017

MATERIAL DESCRIPTION:
Alu EN 6082, Acrylic.

This Drawing, and the information within, is the property of Lopolight ApS and may not be used in any form without express permission there from. Lopolight reserves the right to change this drawing and assumes no liability for the information communicated herein. Use of dimensions and other information in this drawing is at the users own risk.

LOPOLIGHT

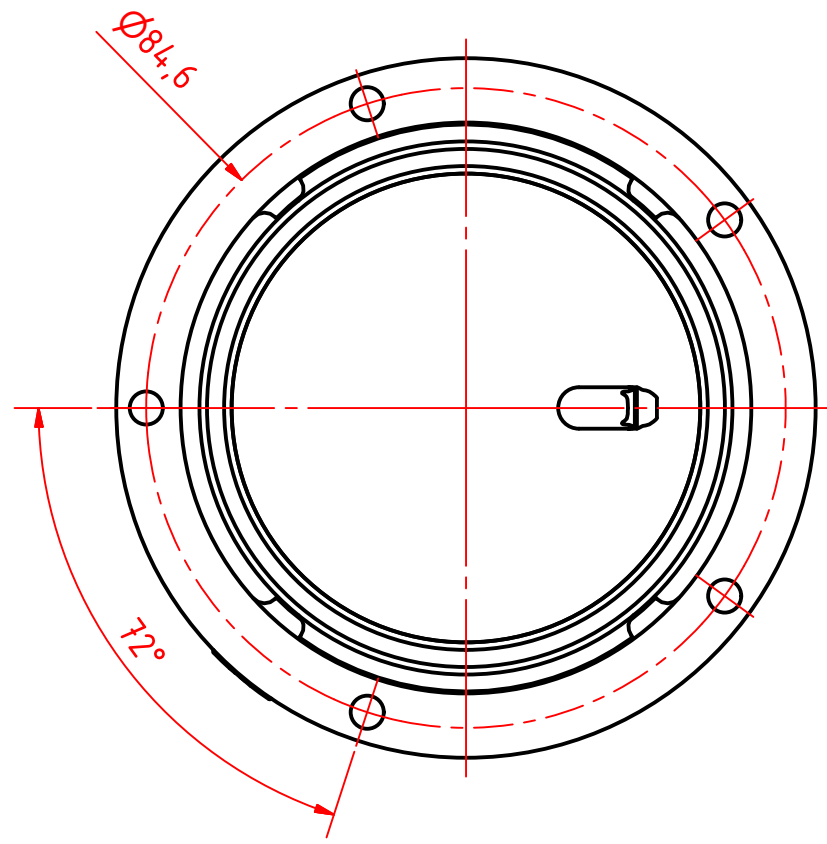
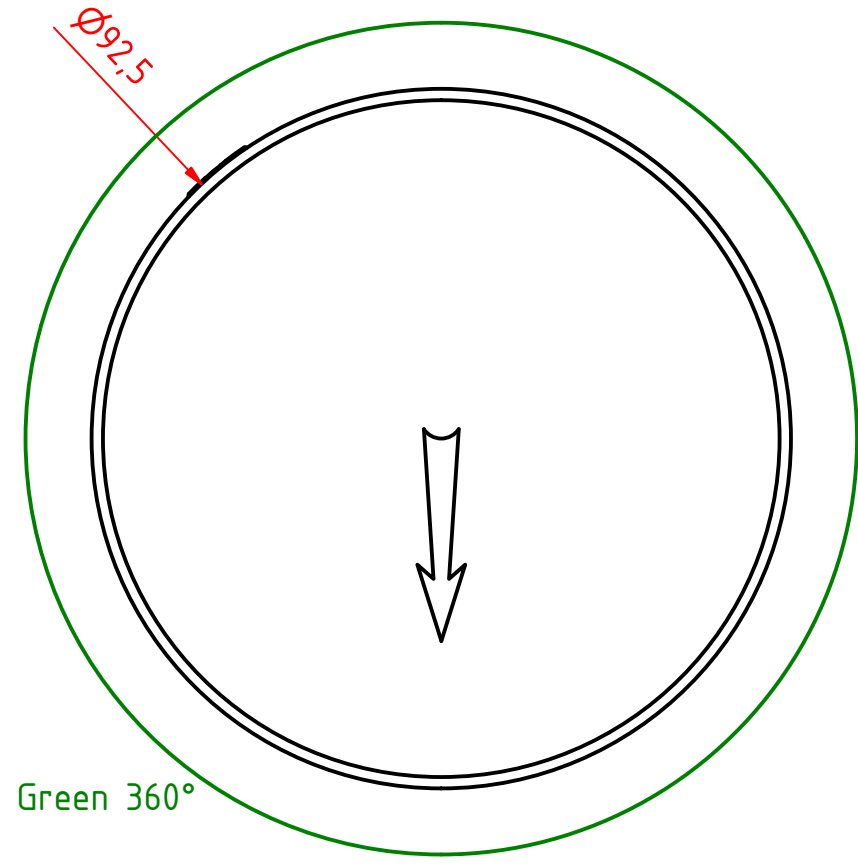
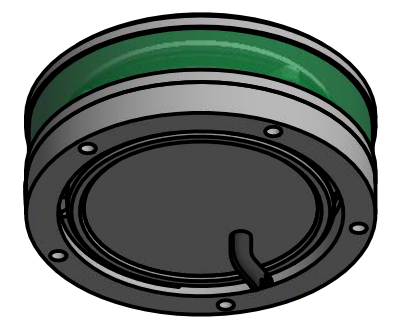
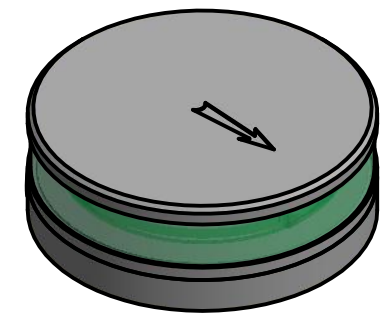
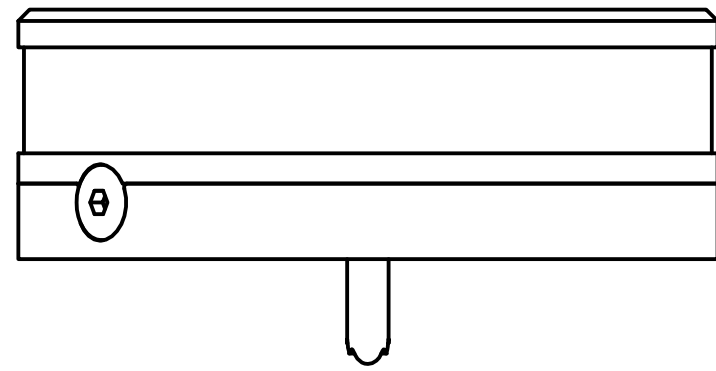
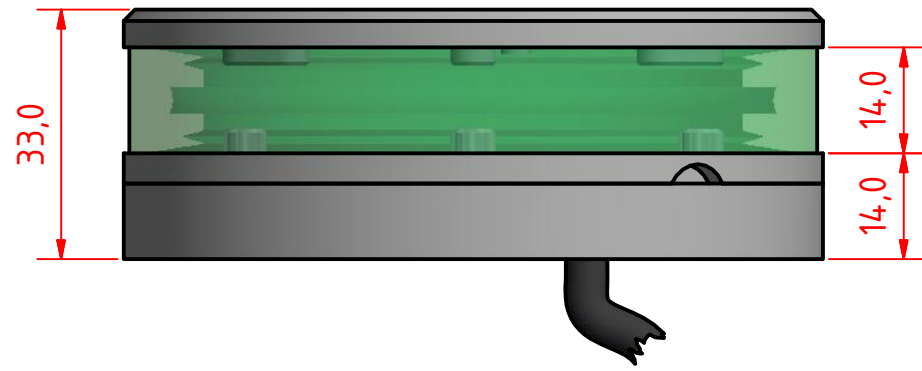
Lopolight ApS
Ved Klaedebo 12
DK-2970, Hoersholm
Denmark

www.lopolight.com

Tel: (+45) 32 48 50 30 Fax: (+45) 32 48 50 32
info@lopolight.com

A B C D E F G H I J

1 2 3 4 5 6 7 8

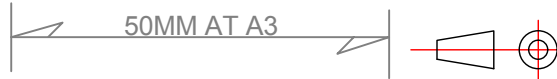


200-015 - 360° Green on a minimal base

DRAWING NO.: 200-015HB	REV. NO.: 0	SIZE: A3	DRAWN BY: Sergio
SCALE: 1:1	TOLERANCES: DS/ISO 2768-f	REVIEWED BY:	CREATION DATE: 02/01/2017
MATERIAL DESCRIPTION: Alu EN 6082, Acrylic, PE			

This Drawing, and the information within, is the property of Lopolight ApS and may not be used in any form without express permission there from. Lopolight reserves the right to change this drawing and assumes no liability for the information communicated herein. Use of dimensions and other information in this drawing is at the users own risk.

LOPOLIGHT
 Lopolight ApS www.lopolight.com
 Ved Klaedebo 12
 DK-2970, Hoersholm
 Denmark
 Tel:(+45) 32 48 50 30 Fax:(+45) 32 48 50 32
 info@lopolight.com



A B C D E F G H I J

8